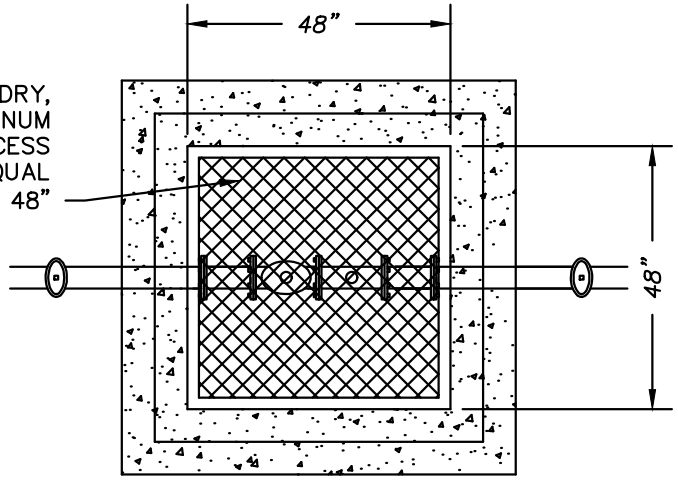
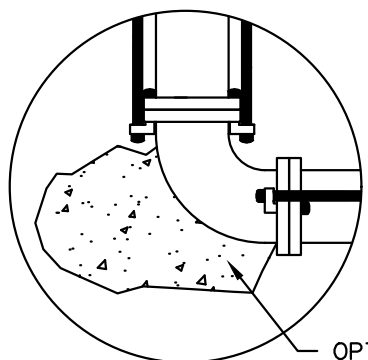


PLAN VIEW
NTS

US FOUNDRY,
APD 300 ALUMINUM
DOUBLE DOOR ACCESS
OR APPROVED EQUAL
48" x 48"



ACCESS HATCH
NTS



DETAIL A
NTS

OPTIONAL CONCRETE THRUST
BLOCK OR STAINLESS STEEL
ROD ASSEMBLY ON BY-PASS

NOTES

1. CONCRETE MIX AND STRUCTURAL DESIGN IN ACCORDANCE WITH ACI 318, FOR DESIGN LOADS AS REQUIRED BY ASTM C890.
2. MANUFACTURE VAULT IN ACCORDANCE WITH ASTM C857 & C858. INSTALL VAULT IN ACCORDANCE WITH ASTM C891.
3. CONCRETE TOP SLAB DESIGNED FOR 300 PSF LIVE LOAD (OUTSIDE ROAD R/W & TRAFFIC AREAS) HS-20 LOAD REQUIRED IF SUBJECT TO TRAFFIC LOADS OR WITHIN ROAD R/W.
4. STRUCTURE TO BE SET LEVEL ON A MINIMUM 6" CRUSHED STONE/GRAVEL BED.
5. PRECAST JOINT SECTIONS TO BE SEALED USING BUTYL RUBBER SEALANT.
6. EXTERIOR SLABS TO HAVE BROOM FINISH, ALL OTHER TO HAVE THE STANDARD FORM FINISH.
7. ALL PIPES AND FITTINGS TO BE MINIMUM PRESSURE CLASS 350 DIP.
8. ALL PIPES/WALL PENETRATIONS TO BE SEALED WITH ASTM C 923 FLEXIBLE CONNECTORS.
9. ALUMINUM ACCESS TO HATCH TO BE DESIGNED FOR HS-20 LOADING IF SUBJECT TO TRAFFIC OR WITHIN ROAD R/W; US FOUNDRY AHD DOUBLE DOOR ACCESS.
10. A POSITIVE DRAIN IS REQUIRED FROM THE BOTTOM OF THE VAULT TO THE DAYLIGHT.
11. BOTTOM OF METER TO BE 18" MIN. ABOVE BOTTOM OF VAULT.
12. SEPARATE BACKFLOW PREVENTION DEVICE MAY BE REQUIRED PER BUILDING CODE.

CITY OF ROCK HILL
UTILITIES DEPARTMENT
757 S. ANDERSON ROAD
ROCK HILL, SC 29730



STANDARD DETAIL

SERVICE CONNECTION 4"

REVISIONS:	DATE:	FILE NAME
	FEB. 2018	
	SCALE:	11.05
	N.T.S.	