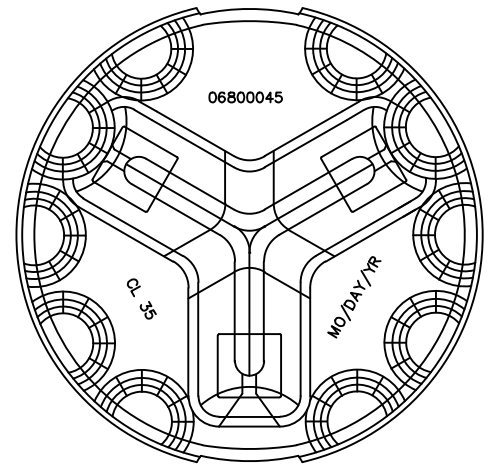
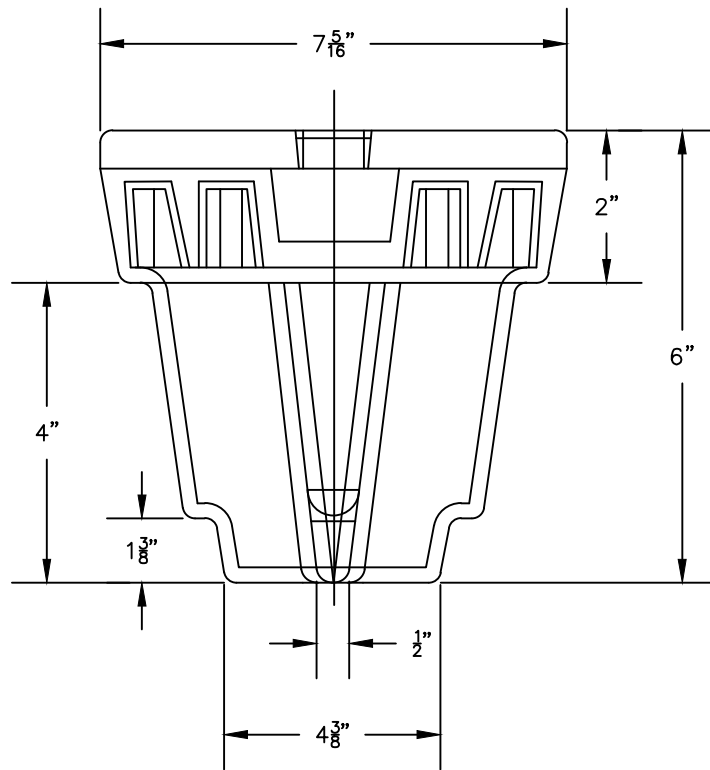


PLAN VIEW
NTS



BOTTOM VIEW
NTS



SIDE VIEW
NTS

NOTES:

1. 5 1/4" DROP-LID WITH 4" SKIRT.
2. HEAVY-DUTY RATING ASTM A48 CL35.

CITY OF ROCK HILL
UTILITIES DEPARTMENT
757 S. ANDERSON ROAD
ROCK HILL, SC 29730



STANDARD DETAIL

WATER VALVE HEAVY DUTY LID

REVISIONS:	DATE:	FILE NAME
	FEB. 2018	12.03
	SCALE:	
	N.T.S.	