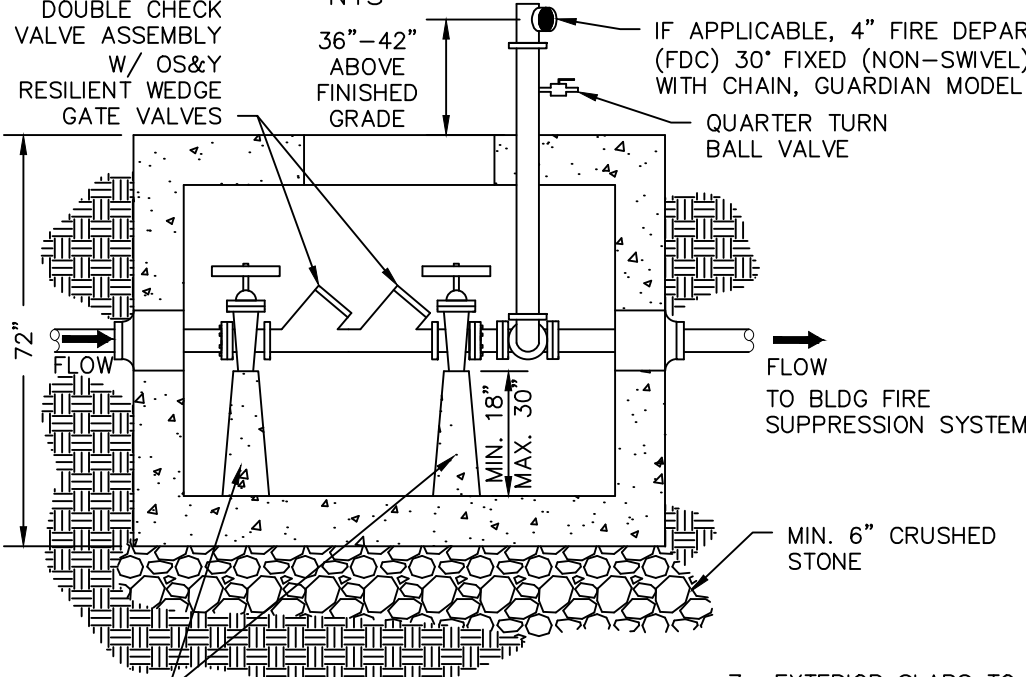


FEBCO MASTER SERIES 850 DOUBLE CHECK VALVE ASSEMBLY W/ OS&Y RESILIENT WEDGE GATE VALVES

PLAN VIEW
NTS

1'x1' KNOCKOUT SUMP, TYP.

COVER
NTS ALUMINUM ACCESS HATCH 48"X48"



SECTION VIEW
NTS

CONCRETE SUPPORTS

7. EXTERIOR SLABS TO HAVE BROOM FINISH, ALL OTHER TO HAVE THE STANDARD FORM FINISH.
8. ALL PIPES AND FITTINGS TO BE MINIMUM CLASS 350 DIP CONFORMING TO ANSI/AWWA C110.
9. ALL PIPES/WALL PENETRATIONS TO BE SEALED WITH ASTM C923 FLEXIBLE CONNECTORS.
10. ALUMINUM ACCESS TO HATCH TO BE MINIMUM 150 PSF LOAD RATED WITH STAINLESS STEEL FASTENERS AND HINGES AND CENTERED IN TOP SLAB, DESIGNED FOR HS-20 LOADING IF SUBJECT TO TRAFFIC OR WITHIN ROAD R/W.
11. A POSITIVE DRAIN IS REQUIRED FROM THE BOTTOM OF THE VAULT TO THE DAYLIGHT/STORM DRAINAGE.
12. BACKFLOW PREVENTION DEVICE TO MEET APPLICABLE BUILDING AND FIRE PREVENTION CODES.
13. THE FDC SHALL BE LOCATED ON THE ADDRESS SIDE OF THE BUILDING WHENEVER POSSIBLE.
14. ALL PIPING AND APPURTENANCES ARE TO BE IN ACCORDANCE WITH NFPA 13, STANDARDS FOR THE INSTALLATION OF SPRINKLER SYSTEMS.

NOTES

1. DETAIL IS APPLICABLE FOR 4", 6" AND 8" VALVES. (4" SHOWN)
2. CONCRETE MIX AND STRUCTURAL DESIGN IN ACCORDANCE WITH ACI 318, FOR DESIGN LOADS AS REQUIRED BY ASTM C890.
3. MATERIALS AND MANUFACTURE IN ACCORDANCE WITH ASTM C913.
4. CONCRETE TOP SLAB DESIGNED FOR 300 PSF LIVE LOAD (OUTSIDE ROAD R/W & TRAFFIC AREAS) HS-20 LOAD REQUIRED IF SUBJECT TO TRAFFIC LOADS OR WITHIN ROAD R/W.
5. STRUCTURE TO BE SET LEVEL ON CRUSHED STONE/GRAVEL BED IN AREA WITH 10-FT HORIZONTAL AND VERTICAL CLEARANCE IN ALL DIRECTIONS.
6. PRECAST JOINT SECTIONS TO BE SEALED USING BUTYL RUBBER SEALANT.

CITY OF ROCK HILL
UTILITIES DEPARTMENT
757 S. ANDERSON ROAD
ROCK HILL, SC 29730



STANDARD DETAIL		
BACKFLOW PREVENTER & UNDERGROUND VAULT INSTALLATION WITH OPTIONAL FDC		
REVISIONS:	DATE:	FILE NAME
	FEB. 2018	
	SCALE:	12.13
	N.T.S.	