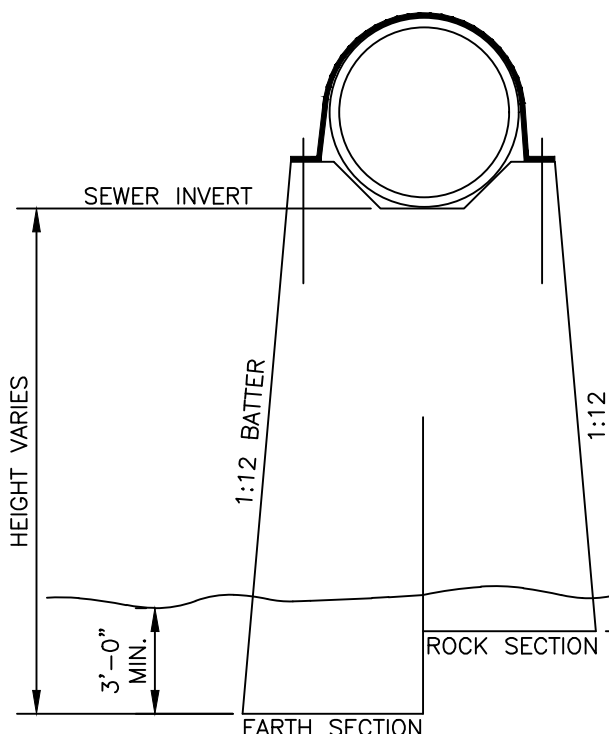
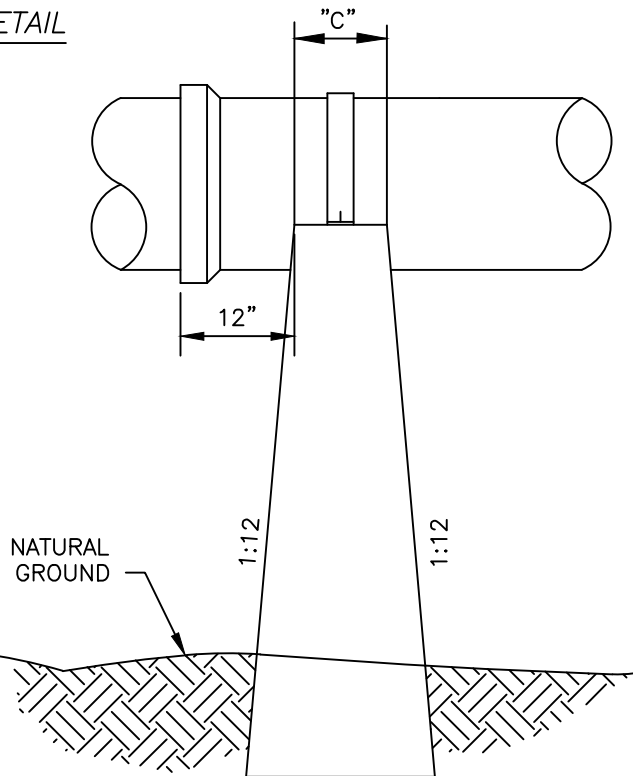


BRACKET DETAIL
NTS



FRONT ELEVATION
NTS



SIDE ELEVATION
NTS

NOTE

1. ENGINEER IS RESPONSIBLE FOR DESIGN OF REINFORCEMENT TO SUIT FIELD CONDITIONS.
2. ANCHOR BOLTS AND STRAPS ARE TO BE STAINLESS STEEL.
3. EXPOSED PIPE SHALL BE 4 MIL EPOXY COATED STEEL PIPE, INSIDE AND OUTSIDE.
4. CONCRETE TO BE 3600 PSI MINIMUM.

SCHEDULE GOVERNING DIMENSIONS OF CONCRETE PIERS			
I.D. PIPE	"A"	"B"	"C"
8"	11.5"	2"	8"
12"	15.5"	3"	10"
16"	19"	4"	11"
20"	23"	5"	12"
24"	26"	6"	16"

CITY OF ROCK HILL
UTILITIES DEPARTMENT
757 S. ANDERSON ROAD
ROCK HILL, SC 29730



STANDARD DETAIL

CREEK CROSSING—CONCRETE PIERS

REVISIONS:	DATE: FEB. 2018	FILE NAME
	SCALE: N.T.S.	13.16