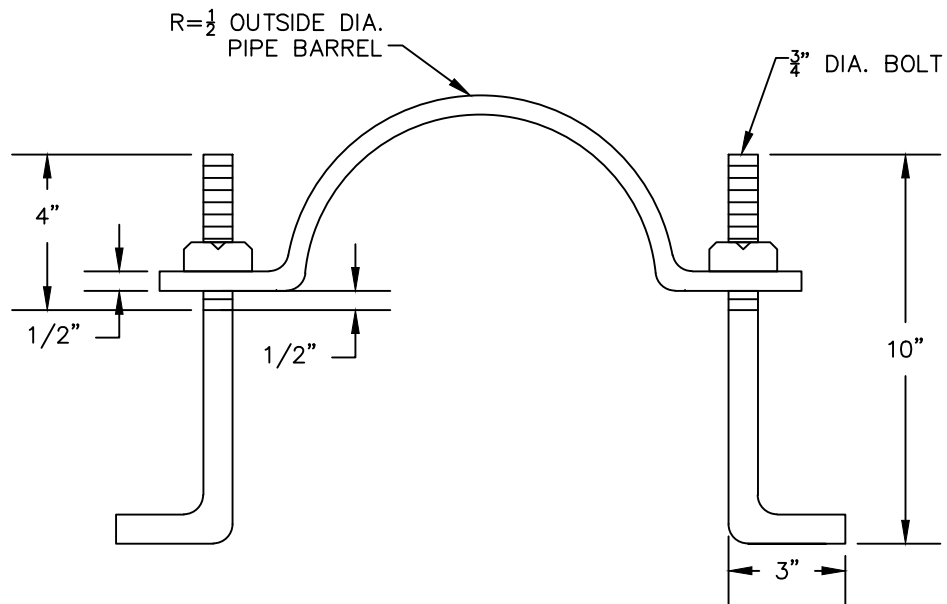


PLAN VIEW  
NTS



ELEVATION VIEW  
NTS

**NOTE**

1. FOR USE WITH PIPES 24"Ø AND SMALLER.
2. ANCHOR BOLTS AND STRAPS SHALL BE STAINLESS STEEL.
3. HOLES TO BE DRILLED IN STRAP.
4. PROVIDE WASHERS UNDER STRAP SUCH THAT STRAP IS PULLED DOWN TIGHT.

CITY OF ROCK HILL  
UTILITIES DEPARTMENT  
757 S. ANDERSON ROAD  
ROCK HILL, SC 29730



STANDARD DETAIL

PIER CRADLE

REVISIONS:	DATE:	FILE NAME
	FEB. 2018	13.17
	SCALE:	
	N.T.S.	