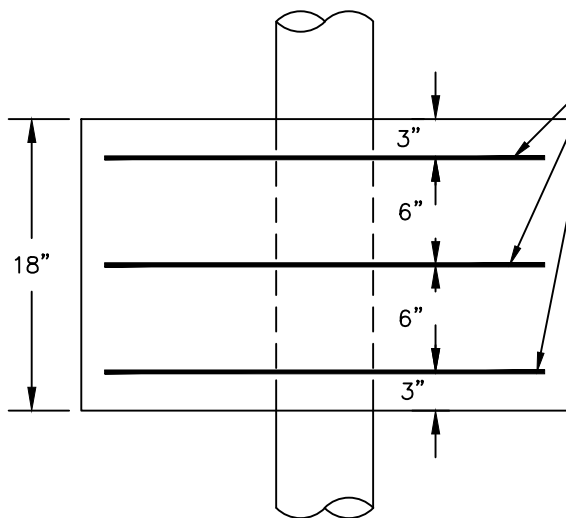
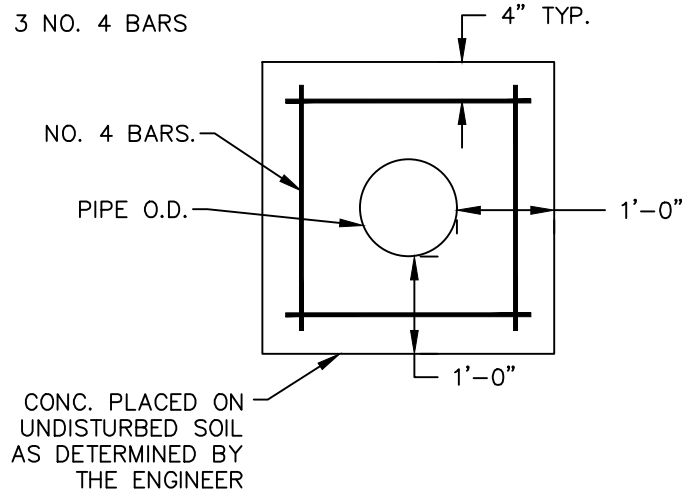


OBLIQUE VIEW
NTS



PLAN VIEW
NTS



VERTICAL VIEW
NTS

NOTES

1. FORMS NOT REQUIRED BELOW SPRING LINE. CONCRETE MAY BE PLACED AGAINST SHAPED BANKS IN LIEU OF FORMS.
2. NOTCH CONCRETE COLLAR INTO TRENCH 12 INCHES MINIMUM.

CITY OF ROCK HILL
UTILITIES DEPARTMENT
757 S. ANDERSON ROAD
ROCK HILL, SC 29730



STANDARD DETAIL

ANTI-SEEP COLLAR

REVISIONS:	DATE:	FILE NAME
	FEB, 2018	13.18
	SCALE: N.T.S.	