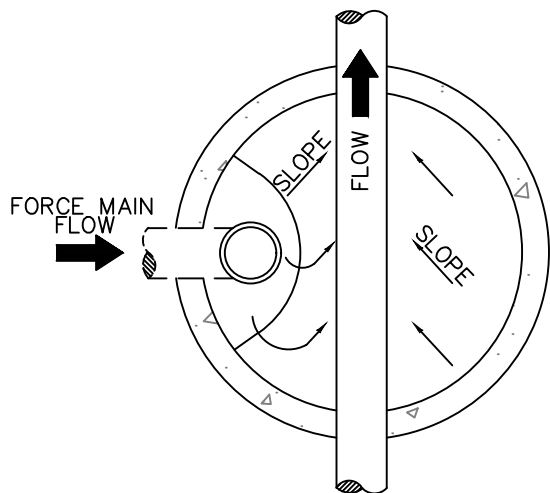
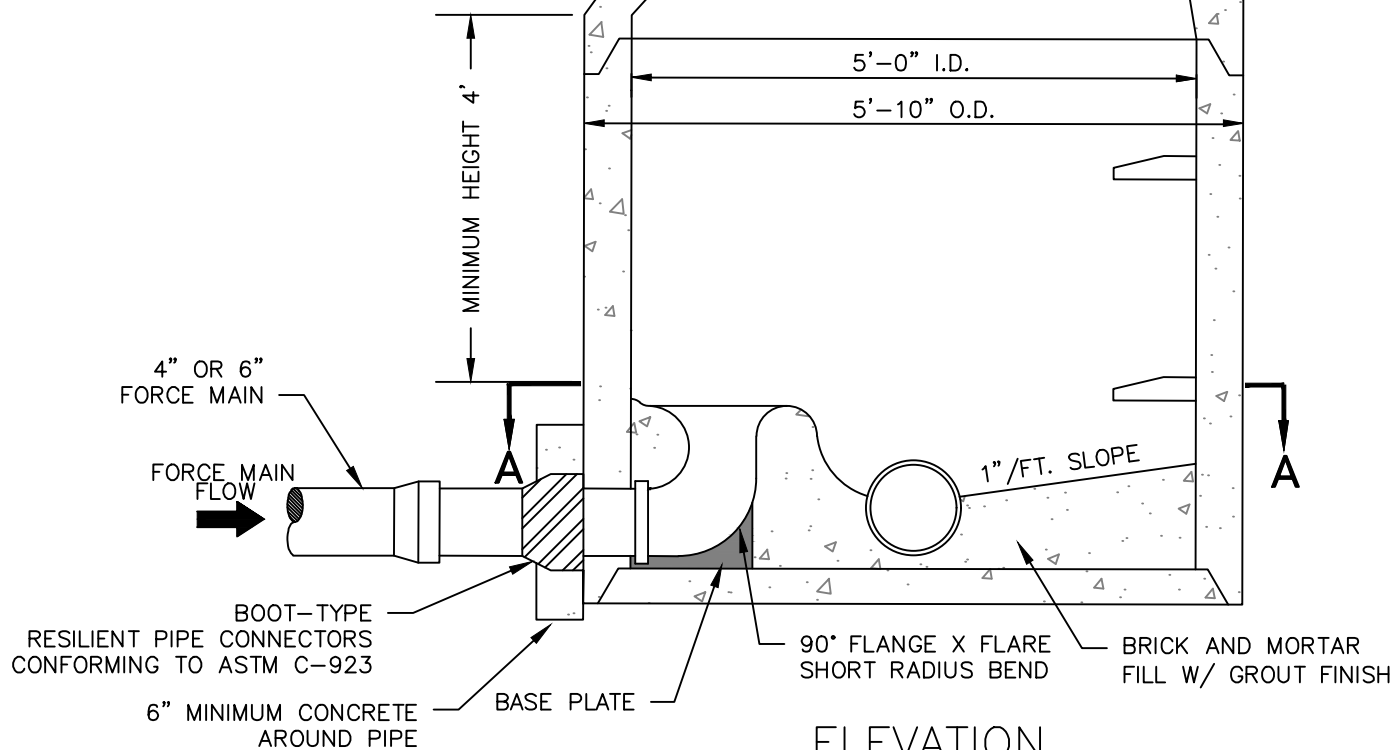


PRECAST MANHOLE
SEE APPLICABLE MANHOLE
DETAIL FOR FRAME, COVER,
AND GENERAL MANHOLE
CONSTRUCTION



SECTION A-A
NTS



ELEVATION
NTS

NOTES

1. FORCE MAIN TO BE SLOPED UP TOWARDS MANHOLE.
2. MANHOLE TO RECEIVE COATING PER CITY STANDARD SPECIFICATIONS.
3. OUTLET OF FORCE MAIN SHALL NOT BE MORE THAN 2 FEET (VERTICAL) FROM THE FLOW LINE OF THE RECEIVING MANHOLE.

CITY OF ROCK HILL
UTILITIES DEPARTMENT
757 S. ANDERSON ROAD
ROCK HILL, SC 29730



STANDARD DETAIL

FORCE MAIN DISCHARGE
INTO 5' PRECAST MANHOLE

REVISIONS:	DATE:	FILE NAME
	JUN. 2018	
	SCALE:	14.06
	N.T.S.	