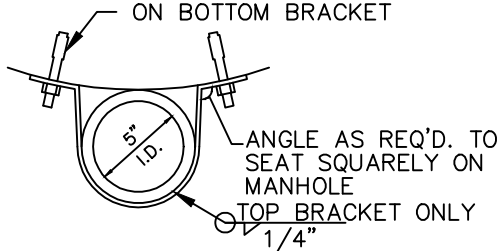


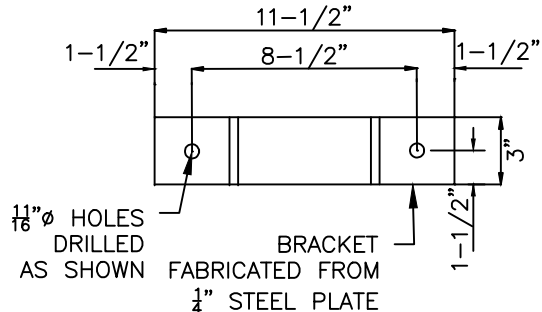
ACCORDING TO THE TYPE OF PRECAST MANHOLE, WASHER SPACERS MAY BE REQUIRED ON LOWER BRACKETS

**PLAN VIEW—LOWER BRACKET**  
NTS

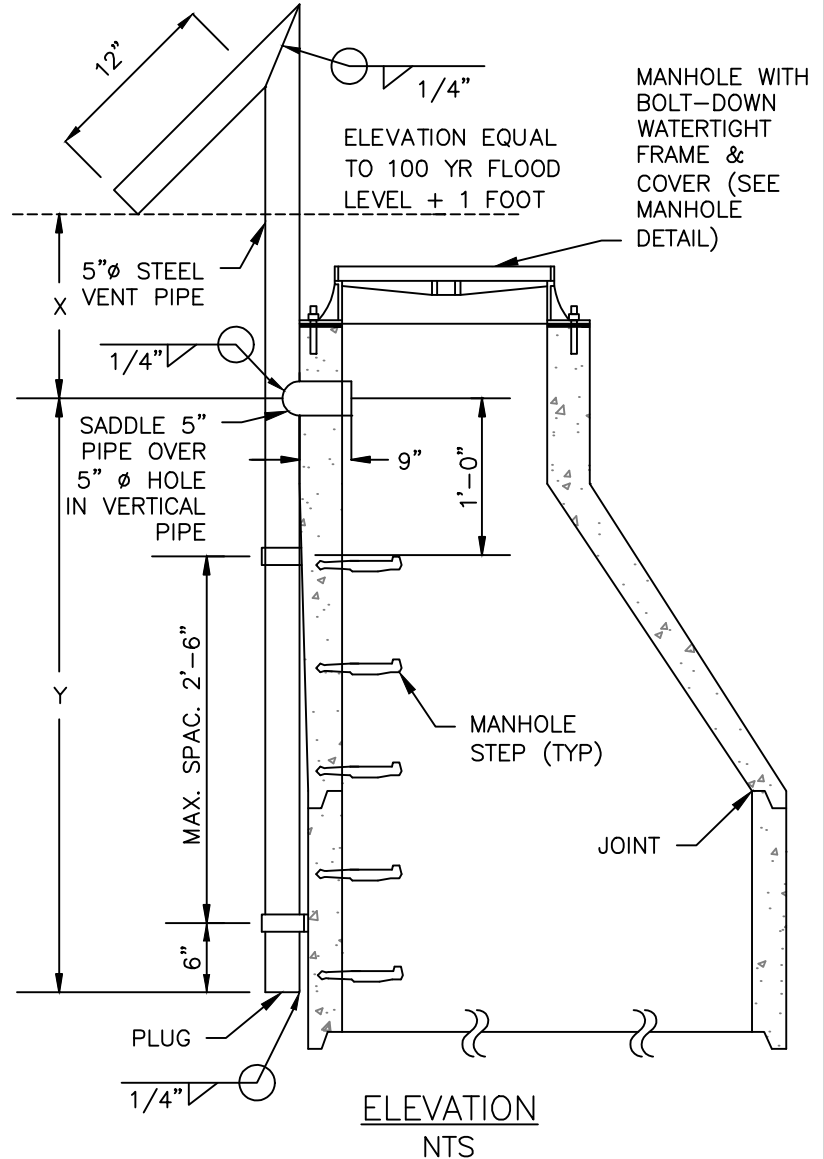
5/8" x 4" EXPANSION ANCHOR BOLTS ON TOP BRACKET 5/8" x 2-1/2" EXPANSION ANCHOR BOLTS ON BOTTOM BRACKET



**PLAN VIEW—TOP BRACKET**  
NTS



**FRONT VIEW—TOP BRACKET**  
NTS



**ELEVATION**  
NTS

**NOTES**

1. AVOID PLACING PIPE BRACKET AT MANHOLE JOINTS OR STEPS
2. ROTATE STRAIGHT WALL OF MANHOLE TO CREEK SIDE. VENT SHALL POINT DOWNSTREAM.
3. VENTS TO BE SPACED EVERY ± 1000 LF OR AS SHOWN ON PLANS
4. FOR MANHOLE CONSTRUCTION, SEE APPLICABLE PRE-CAST MANHOLE DETAIL.

X	Y	MIN. NO. OF PIPE BRACKETS
0"–72"	60"	3
72"–84"	66"	3
84"–96"	72"	3
OVER 96"	AS APPROVED BY ENGINEER	3 OR 4

CITY OF ROCK HILL  
UTILITIES DEPARTMENT  
757 S. ANDERSON ROAD  
ROCK HILL, SC 29730



STANDARD DETAIL

MANHOLE VENT

REVISIONS:	DATE:	FILE NAME
	FEB. 2018	
	SCALE:	14.11
	N.T.S.	