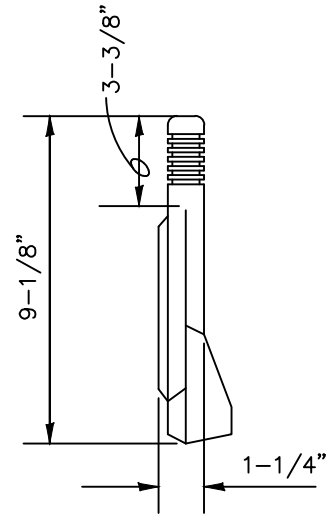
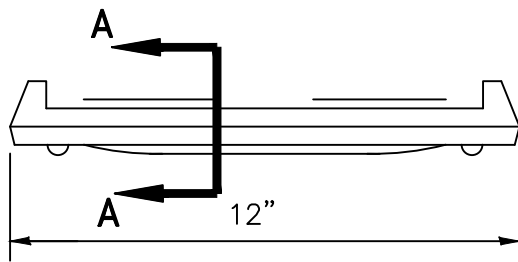


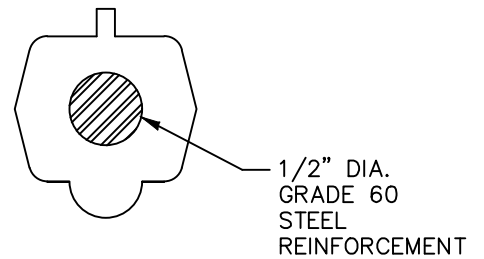
PLAN VIEW
NTS



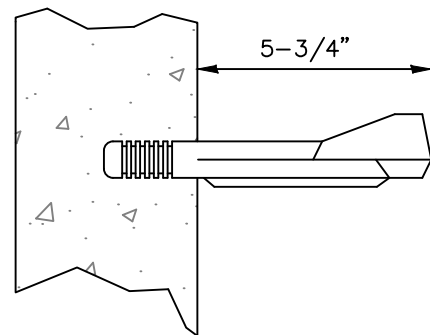
SIDE ELEVATION
NTS



FRONT ELEVATION
NTS



SECTION A-A
NTS



INSTALLATION
NTS

NOTES

1. PSI-PF MANHOLE STEP BY M.A. INDUSTRIES, INC. OR APPROVED EQUAL.
2. MANHOLE STEP SPACING TO BE 16" CENTER TO CENTER (MAX.) ALONG STRAIGHT SIDE OF MANHOLE.
3. STEP TO BE DRIVEN INTO TAPERED HOLES IN PRECAST MANHOLE SECTION. DO NOT USE AS A GROUTED-IN STEP.
4. A 1000-POUND PULL-OUT TEST REPORT IS REQUIRED FOR EACH STEP.
5. DO NOT PLACE STEPS OVER INVERTS.

CITY OF ROCK HILL
UTILITIES DEPARTMENT
757 S. ANDERSON ROAD
ROCK HILL, SC 29730



STANDARD DETAIL

MANHOLE STEP

REVISIONS:	DATE:	FILE NAME
	FEB. 2018	14.13
	SCALE:	
	N.T.S.	