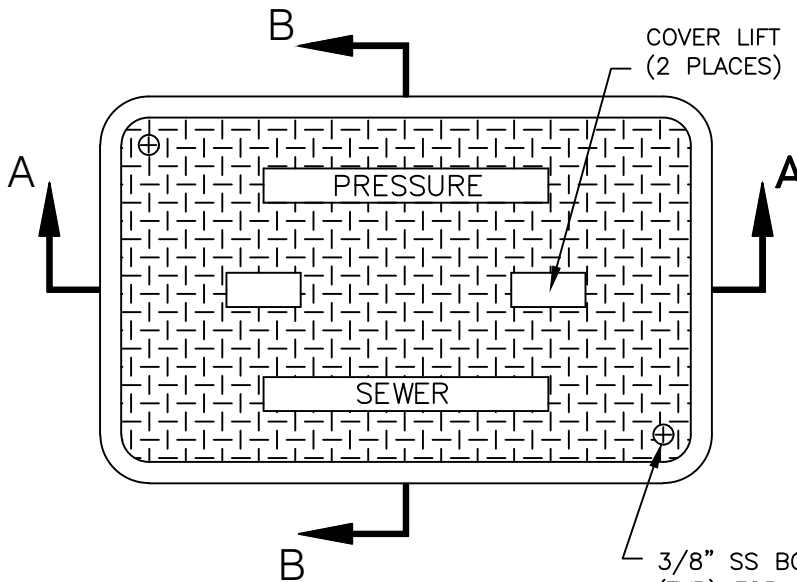
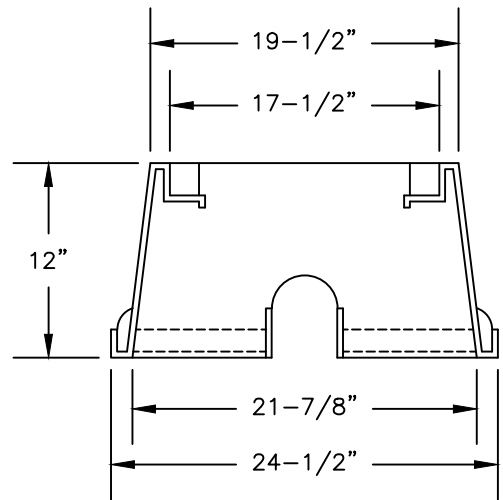


SECTION A-A  
NTS



PLAN VIEW  
NTS



SECTION B-B  
NTS

**NOTES**

- METER BOX TO BE BROOKS SERIES 1419 WITH METAL COVERS (TRAFFIC RATED), OR APPROVED EQUAL.

CITY OF ROCK HILL  
UTILITIES DEPARTMENT  
757 S. ANDERSON ROAD  
ROCK HILL, SC 29730



STANDARD DETAIL

LOW PRESSURE SEWER  
SERVICE CONNECTOR BOX

REVISIONS:	DATE:	FILE NAME
	FEB. 2018	18.05
	SCALE: N.T.S.	