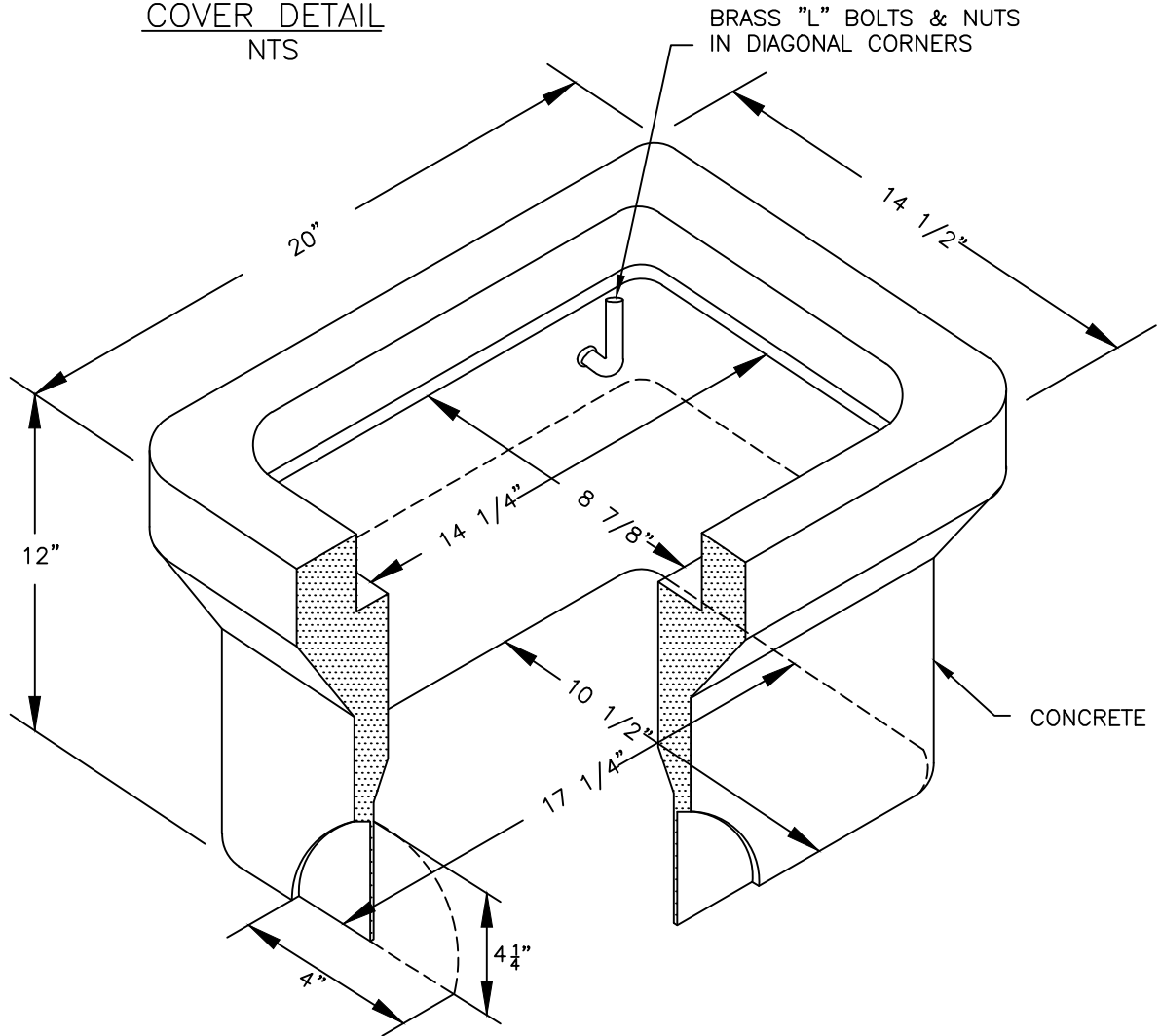


COVER DETAIL
NTS



BOX DETAIL
NTS

NOTE
CLEAN OUT BOX TO BE BROOKS
CONCRETE BOX SERIES 36 WITH METAL
COVER (TRAFFIC RATED)

CITY OF ROCK HILL
UTILITIES DEPARTMENT
757 S. ANDERSON ROAD
ROCK HILL, SC 29730



STANDARD DETAIL

LOW-PRESSURE SEWER
CLEAN-OUT BOX

REVISIONS:	DATE:	FILE NAME
	FEB. 2018	18.08
	SCALE: N.T.S.	