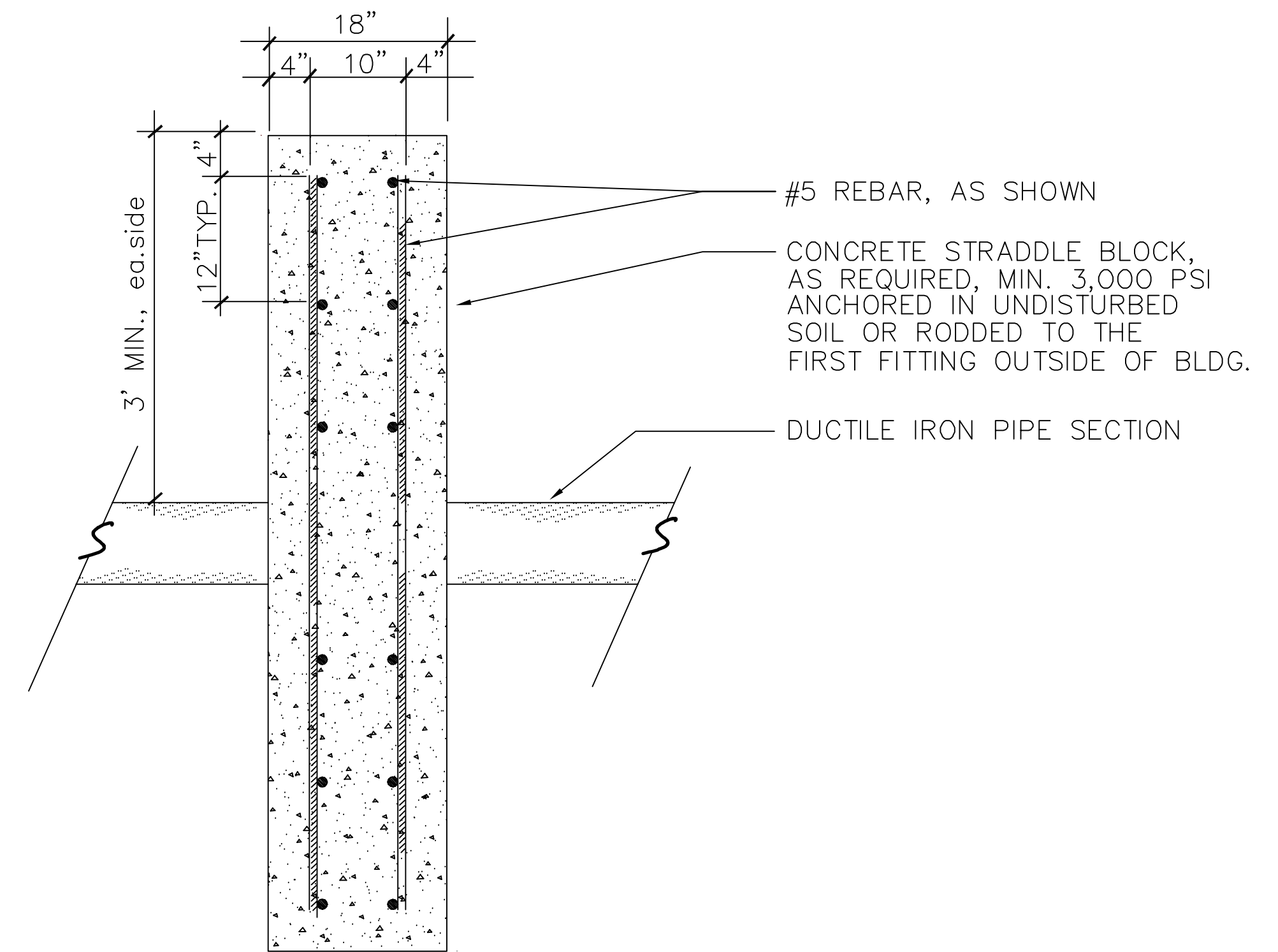
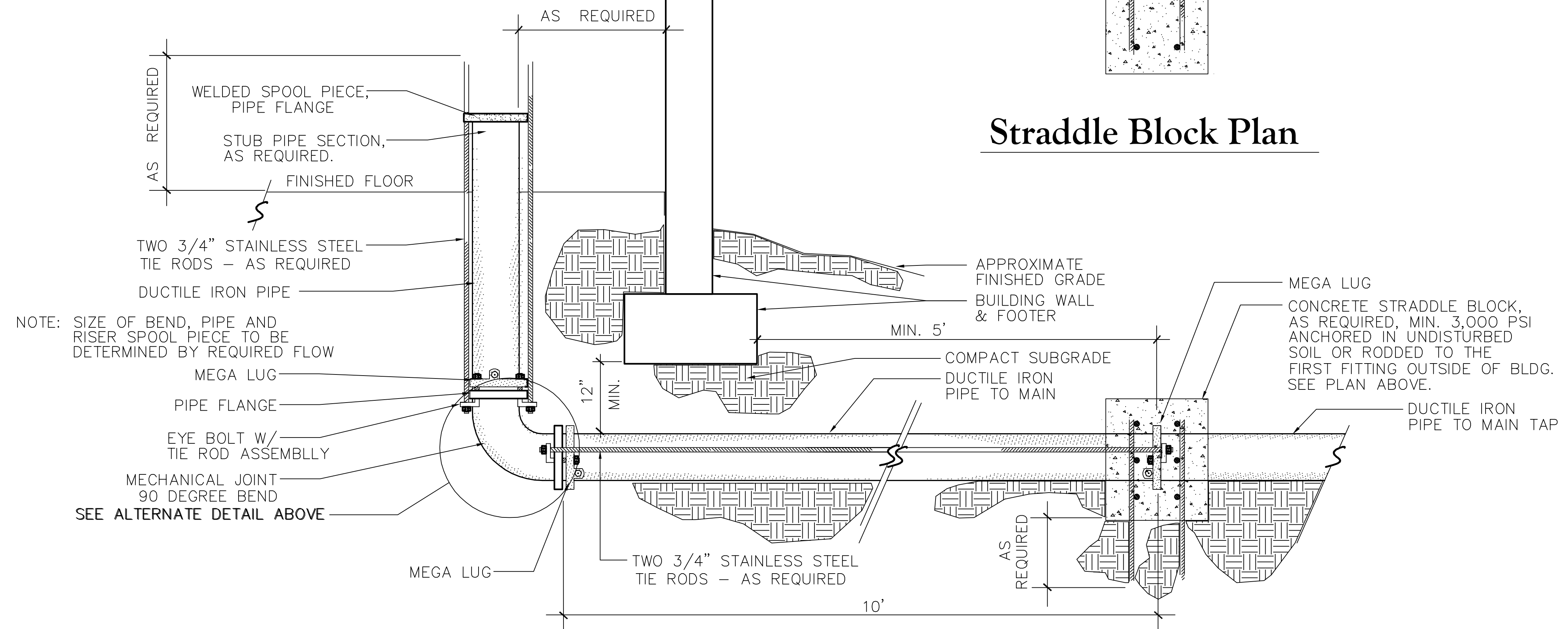


Alternate: Refer to Approved CRH Detail
NO SCALE



Straddle Block Plan



NOTE: SIZE OF BEND, PIPE AND RISER SPOOL PIECE TO BE DETERMINED BY REQUIRED FLOW

NOTE: FIRE RISER INSTALLATIONS ARE REQUIRED TO MEET ALL PROVISIONS OF NFPA 13 IN ADDITION TO CITY REQUIREMENTS.

Standard Building Fire Riser
SCALE: 1" = 1'-0"

THIS FIRE RISER DETAIL IS APPLICABLE FOR 4", 6", AND 8" DUCTILE IRON PIPE, ONLY.