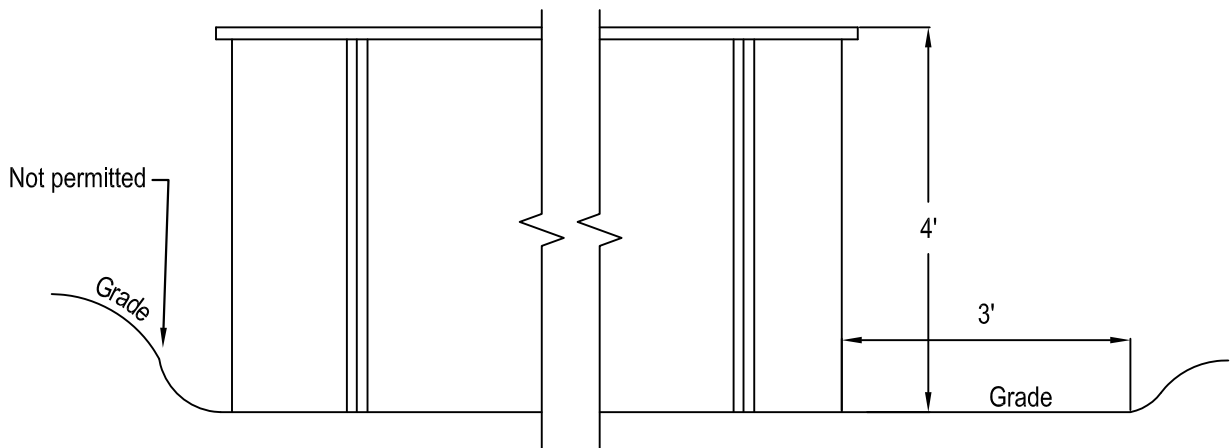
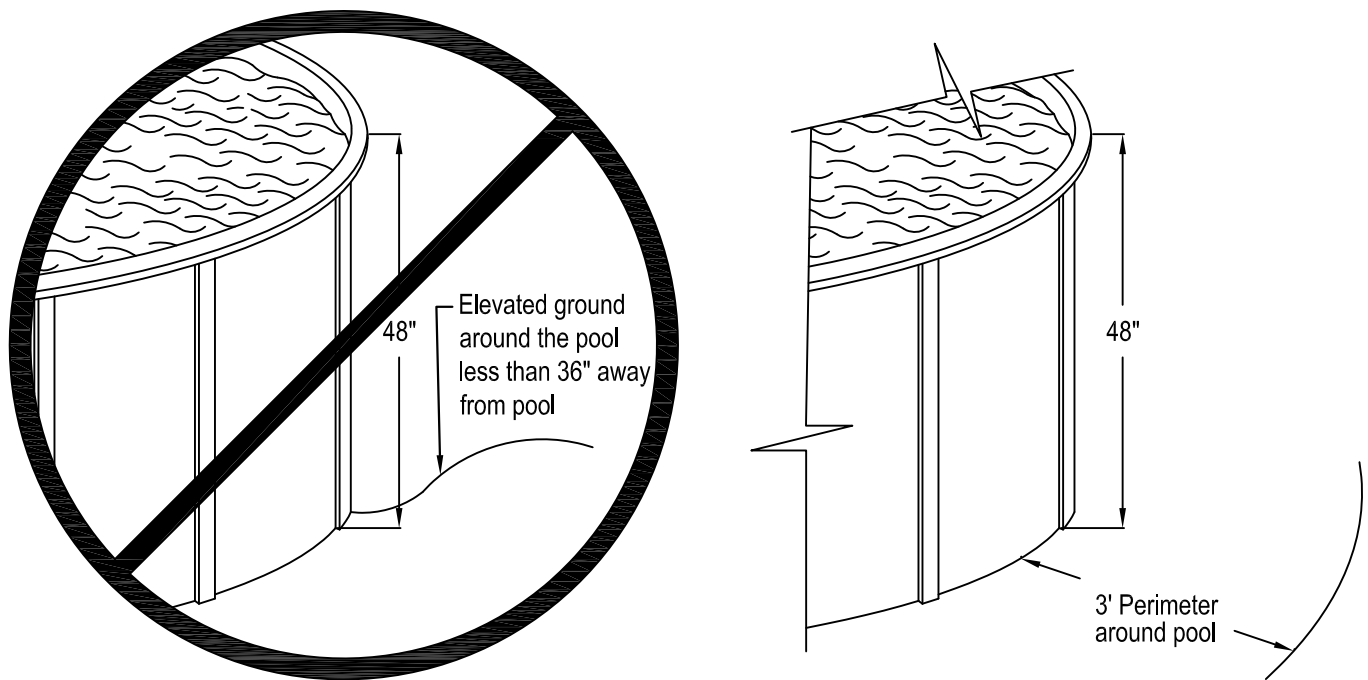


Pools requiring permits

- Any pool capable of holding 24 inches of water or more is required to have a pool permit. This includes inground, above ground and soft sided pools. All barrier requirements shall be addressed and met.
- Ladders shall have a lockable guard or shall be removed after every use.



Pool Barrier Requirements

The pool can act as the barrier as long as the pool sides are 48" or a attachable barrier is used to meet the 48" requirement. The ground at the base of the pool must be level at least 36" away from the pool sides in order to keep the 48" height requirement in order to prevent jumping or climbing from an elevated grade. See details.